

Sensor-switched LED floodlight

XLED home 2 SC

black
EAN 4007841 065447
Article number 065447



LED

long life LED 25.000 h

3000 K

3000K warm-white



infrared sensor 180°



max. 10 m



IP44



180° horizontal, 180° vertikal



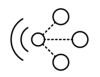
180° horizontal, 90° vertikal



2 - 2000 lux



5 sec - 60 min



connectable via bluetooth

Function description

Top seller. Now even better. Sensor-switched outdoor floodlight XLED home 2 SC for even greater security and wireless control via Bluetooth and via app. Fully swivelling LED panel in classy opal look. For the most exacting of demands on design and maximum lighting convenience. 1550 lm from a power consumption of just 13,8 W. Swivelling precision IR sensor (horizontally: 180°, vertically: 90°). 180° angle of coverage, 10 m reach. High thermal conductivity magnesium composite cooling system (HCMC).

Technical specifications

Dimensions (L x W x H)	161 x 180 x 218 mm
With lamp	Yes, STEINEL LED system
With motion detector	Yes
Manufacturer's Warranty	5 years
Settings via	Bluetooth
Version	black
PU1, EAN	4007841065447
Application, place	Outdoors
Application, room	outdoors, all round the building, terrace / balcony, courtyard & driveway
Colour	black
Includes corner wall mount	No
Installation site	wall, corner
Installation	Surface wiring, corner, Wall
Impact resistance	IK03
IP-rating	IP44

Photo-cell controller	Yes
Luminous flux total product	1550 lm
Measured luminous flux (360°)	1550 lm
Colour temperature	3000 K
Colour variation LED	SDCM3
Lamp	LED cannot be replaced
LED cooling system	HCMC (High Conductive Magnesium Composite)
Soft light start	No
Continuous light	selectable
Functions	Group parameterisation, Manual ON / ON-OFF, Neighbouring group function, Master/slave override, Night economy mode, Timer
Twilight setting	2 - 2000 lx
Time setting	5 s - 60 Min.
Basic light level function	No
Twilight setting TEACH	Yes

<https://www.steinell.de>

Subject to technical modifications

05.2025 Page 1 from 3

Sensor-switched LED floodlight

XLED home 2 SC

black
EAN 4007841 065447
Article number 065447



Technical specifications

Protection class	II	Interconnection	Yes
Ambient temperature	from -20 up to 40 °C	Type of interconnection	Master/master, Master/slave
Housing material	HCMC	Interconnection via	Bluetooth
Cover material	Plastic, opal	Output	13,8 W
Mains power supply	220 – 240 V / 50 – 60 Hz	Colour Rendering Index CRI	= 82
Mounting height max.	4,00 m	Optimum mounting height	2 m
Capability of masking out individual segments	Yes	Detection angle	180 °
Reach, radial	r = 5 m (39 m ²)	Product category	Sensor-switched LED floodlight
Reach, tangential	r = 10 m (157 m ²)	Energieeffizienzklasse Lichtquelle	E

Accessories

EAN 4007841 088620	Wireless pushbutton TapDuo C
EAN 4007841 055875	Corner wall mount XLED home 2/ PRO 240
EAN 4007841 053086	Corner wall mount XLED Home 2/ Pro 240
EAN 4007841 055615	Corner wall mount XLED home 2/ PRO 240

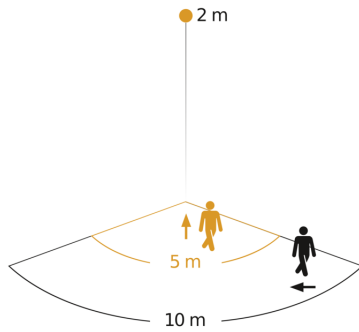
Sensor-switched LED floodlight

XLED home 2 SC

black
EAN 4007841 065447
Article number 065447

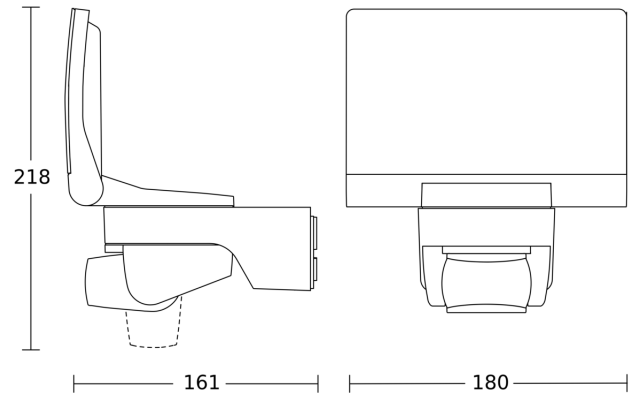


Detection Zone

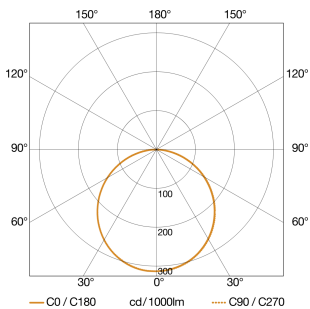


Possible mounting height: 1,80 m - 4,00 m
Orange: radial
Black: tangential

Dimension Drawing



Light Distribution Curve



Output	13,8 W
With lamp	Yes, STEINEL LED system
Lamp	LED cannot be replaced
Measured luminous flux (360°)	1550 lm
Colour temperature	3000 K
Colour Rendering Index	80-89
LED cooling system	HCMC (High Conductive Magnesium Composite)

Master/master interconnection circuit diagram

